

STR 137G

SPT & Wireline Rotary Core Test Drill Rig



STR 137G
SPT & Wireline Rotary Core Test Drill Rig



Our smallest gasoline SPT and wireline rotary core test drill rig, the STR-137G is a compact and very powerful rig designed to get into tight places while maintaining all the features needed with an SPT test rig.

The STR-137G includes a manual or automatic SPT hammer system, retractable mast, dual winches for wireline drilling, and a single or dual pipe clamp with breakout.

This model features a compact and incredibly powerful 4 speed gearbox drill motor with a built-in heavy duty wet swivel and chain driven mast with V-Rollers.

37

HORSEPOWER

9161

FT LBS OF TORQUE

(with rotary drill head ML-500)

241

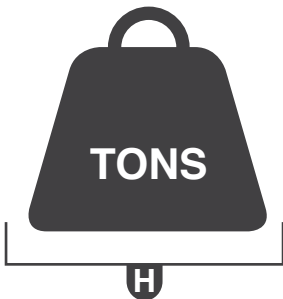
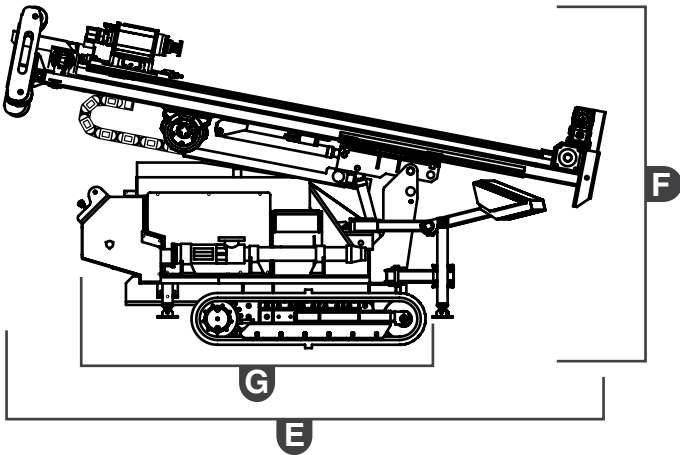
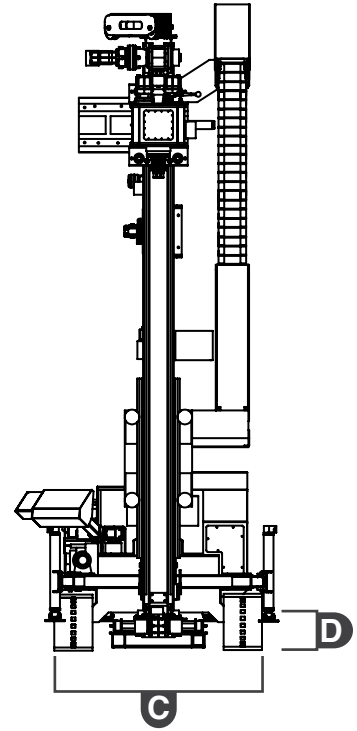
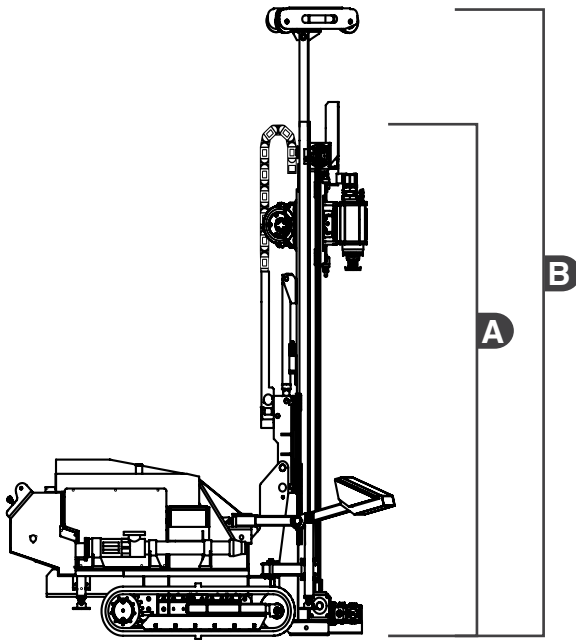
RPM / 4-SPEED GEAR BOX DRILL HEAD

100-200

FEET OF DEPTH

(with rotary drill head ML-500)

STR 137G
SPT & Wireline Rotary Core Test Drill Rig



DIMENSIONS

Standard Mast (5 ft - 1.5 mts drill pipe)

- A. Height - Tower retracted**
150" (12.5') - 381 cm.
- B. Height - Tower extended**
229" (19') - 582 cm.
- C. Width**
64" - 162 cm.
- D. Ground clearance**
11.7" - 29 cm.
- E. Length - Mast tilted**
196.9" - 500 cm.
- F. Height - Mast tilted**
102" - 259 cm.
- G. Length of body**
101" - 256.5 cm.
- H. Weight (approximate)**
2.5 tons - 5000 lbs.

Engine

- 37 hp (27.6 kW) compliant, gasoline engine
- Air cooled
- 12 V electric start
- Emergency stop button
- Rpm gauge
- Oil pressure gauge

Hydraulic System

- 18 gpm (68 lpm) max combined hydraulic flow
- Max 3000 psi (206 bar)
- 2-stage gear pump
- Feather touch controls
- Oil cooler

Track System

- Stationary track system (260 mm wide 1676 mm long - 10.2" wide 66" long)
- NACHI 2B track motor with automatic brake system
- Built-in grease filled tensioning arm and spring

Mast

- Chain driven mast
- V-Rollers
- Tilt rotate for travel
- Standard mast 5.5 ft (1.67 m) stroke, with 12,000 lbs pull down force

Pipe Clamp

- Single pipe/rod bottom clamp
- Size capability from 1.5" to 6" (Other sizes available)

Telescopic SPT Tower

- Telescopic SPT tower
- 19 ft (5.79 m) max height (longer travel available)
- Dual pulley system - SPT rope pulley and wireline pulley. Tower counterbalance hydraulic locking system

Leveling Outriggers

- 4 hydraulic level outriggers with independent controls

Drill Motor - Rotary Gearbox MS-500

- Gear 1: 321 rpm at 573 ft lbs (776 Nm) torque
- Gear 2: 161 rpm at 1145 ft lbs (1552 Nm) torque
- Gear 3: 80 rpm at 2290 ft lbs (3104 Nm) torque
- Gear 4: 40 rpm at 4580 ft lbs (6209 Nm) torque
- See complete list of options on next page
- Built-in heavy duty wet swivel (see bellow)

Heavy Duty Wet Swivel

- Top intake
- Three quick-change connectors (AWJ, AW, BW, BQ, NW, NQ, HW, HQ, PW, PQ) others available
- Automatic spring floating system

SPT Hammer System

- Rotary capstan system for manual SPT hammer (SPT hammer sold separately) (Auto hammer option available)

Lifting Winch

- 2,500 lbs (1,133 kg) lift capacity
- Planetary gear
- 10 ft/sec travel speed
- Balance weight and locking hook
- ¼" - ½" (6-12 mm) cable diameter

Wireline Winch - 2nd Winch

- For wireline operations
- 1,000 lbs (453 kg) lift capacity
- 20 ft/sec travel speed

Fuel Tank

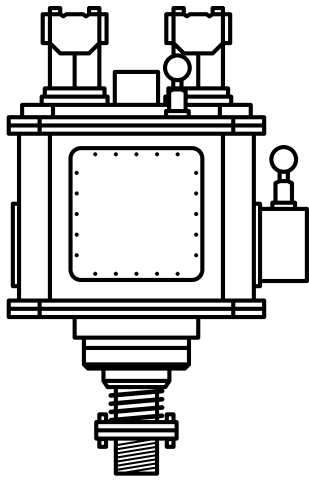
- 10 gallon (37.8 liters) fuel tank with fuel sending sensor

Hydraulic Oil Tank

- 20 gallon (75 liters) hydraulic oil tank with built in site level glass

Options

- Remote control for driving operations
- Various auger drill heads available
- Automatic drop hammer 140 lbs (63 kg)
- Manual drop hammer 140 lbs (63 kg)
- Dual pipe clamp with breakout
- Direct push drill head
- Mud pump



Rotary Drill Head Gearbox Options

For 37 hp & 18 gpm, gasoline engine

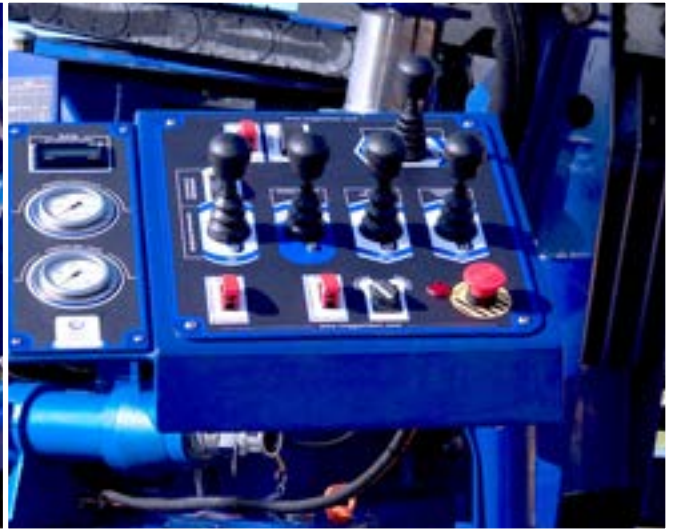
	MS Series				ML Series			
	MS-200				ML-200			
	GEAR 1	GEAR 2	GEAR 3	GEAR 4	GEAR 1	GEAR 2	GEAR 3	GEAR 4
RPM - Max speed	835	418	209	104	627	313	78	39
TORQUE - Lb ft	220	440	881	1761	220	440	1761	3523
TORQUE - Nm	298	596	1194	2387	298	596	2387	4776

	MS-250				ML-250			
	GEAR 1	GEAR 2	GEAR 3	GEAR 4	GEAR 1	GEAR 2	GEAR 3	GEAR 4
RPM - Max speed	668	334	167	83	501	250	63	31
TORQUE - Lb ft	275	551	1101	2203	275	551	2203	4405
TORQUE - Nm	372	747	1492	2986	372	747	2986	5972

	MS-400				ML-400			
	GEAR 1	GEAR 2	GEAR 3	GEAR 4	GEAR 1	GEAR 2	GEAR 3	GEAR 4
RPM - Max speed	515	258	129	64	387	193	48	24
TORQUE - Lb ft	357	714	1427	2855	357	714	2855	5710
TORQUE - Nm	484	968	1934	3870	484	968	3870	7741

	MS-500- Standard				ML-500			
	GEAR 1	GEAR 2	GEAR 3	GEAR 4	GEAR 1	GEAR 2	GEAR 3	GEAR 4
RPM - Max speed	321	161	80	40	241	120	30	15
TORQUE - Lb ft	573	1145	2290	4580	573	1145	4580	9161
TORQUE - Nm	776	1552	3104	6209	776	1552	6209	12420

STR 137G
SPT & Wireline Rotary Core Test Drill Rig





Address: 5517 W. Sligh Ave, Suite 100. Tampa, FL 33634
Phone number: (813) 464-2299
Toll-Free number: 1-888-508-**RIGS** (7447)
Fax: (813) 881-1199
E-mail: info@tmgmfg.com
Website: www.tmgmfg.com

Facebook: [f TMGManufacturing](#)
Youtube: [y TMGManufacturing](#)
Instagram: [i TMGManufacturing](#)
Linkedin: [in TMG-Manufacturing](#)
