

MA-23

SPT Autohammer Mast Trailer/Tracks/Truck Mounted



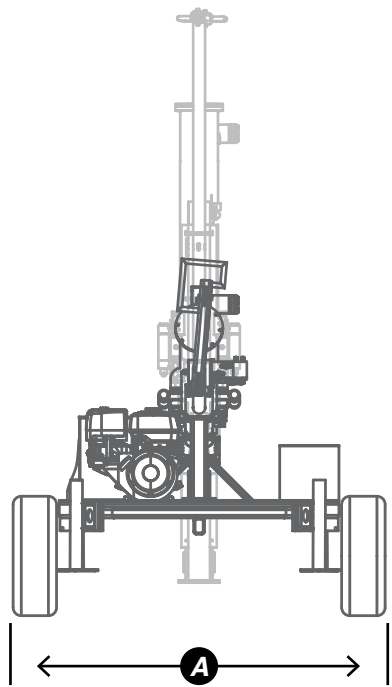


The MA-23 is a small, portable, and easy to use rotary drill rig with an SPT autohammer soil sampling system, which can be mounted on a small truck, on trailer or on rubber tracks.

The MA-23 comes with a rotary drill head with 110 ft lbs of torque and 15 rpm, a standard SPT autohammer and a high-speed winch with 1,100 lbs of lift force for extremely fast rod extraction. The MA-23 also comes with a chain-driven mast with 2,300 lbs of lifting force, for tougher rod extraction situations.

CHARACTERISTICS

- Rotary drill head, single speed (15 rpm, 110 ft lbs of torque)
- 140lb (63.5 kg) hammer
- 30" (76.2cm) drop height
- Conforms to ASTM D-1586-11 for SPT sampling
- Can be configured for DPL, DPH, DPSH sampling
- 23hp gasoline engine
- Mini winch tower
- High speed winch with 1,100 lbs lift force and slip ring leveling outriggers
- Rod rack (trailer only)
- Optional sampler bench vise
- Optional stroke counter
- Can be mounted on trailer, tracks or pickup truck

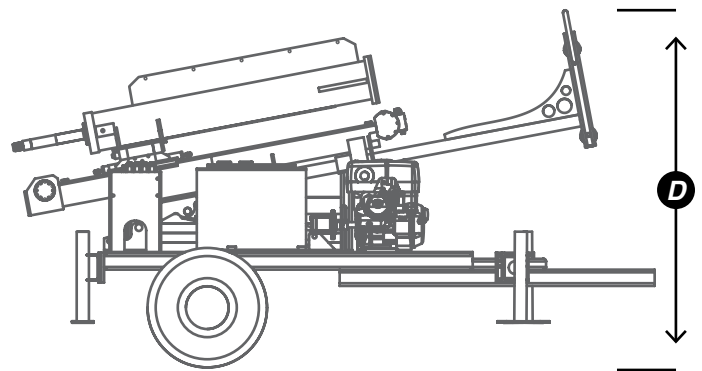
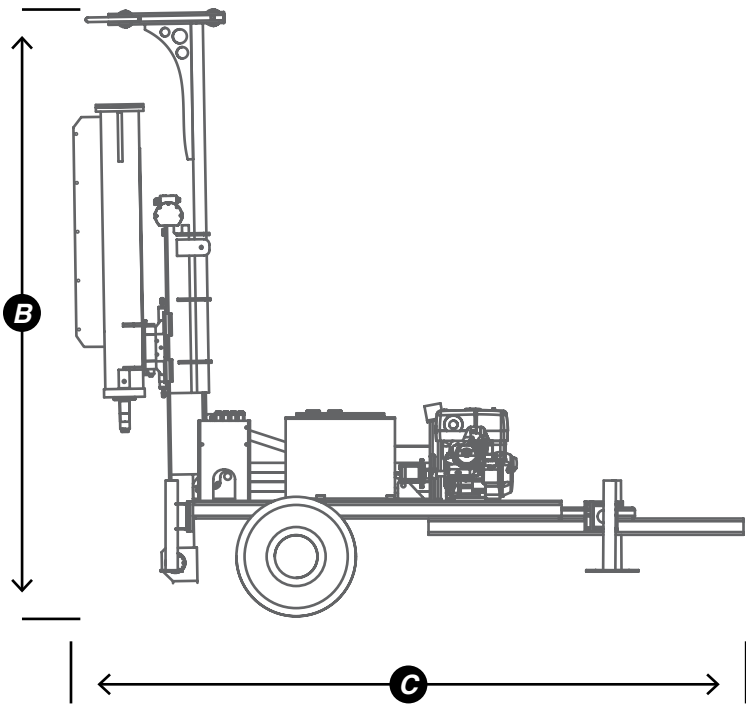


DIMENSIONS

Trailer Mounted Version

- A. Width**
61" - 155 cm.
- B. Height - Tower extended**
110" - 281 cm.
- C. Length**
122" - 311 cm.
- D. Height - Tower retracted**
66" - 167 cm.

Can be mounted on trailer, pick-up truck or rubber tracks



MA-23
SPT Autohammer Mast Trailer/Truck Mounted





Address: 5517 W. Sligh Ave, Suite 100. Tampa, FL 33634
Phone number: (813) 464-2299
Toll-Free number: 1-888-508-**RIGS** (7447)
E-mail: info@tmgmfg.com
Website: www.tmgmfg.com

Facebook: [f TMGManufacturing](#)
Youtube: [y TMGManufacturing](#)
Instagram: [i TMGManufacturing](#)
Linkedin: [in TMG-Manufacturing](#)
