

CPTu & SCPTu EQUIPMENT

CPTu - SCPTu CONES, DATA ACQUISITION AND TOOLING



CPTu & SCPTu Equipment

CPTu - SCPTu Cones, Data Acquisition and Tooling



Our new CPTu and SCPTu equipment comes with an electrical cone that contains temperature-compensated strain gauge transducers that measure the cone resistance as well as the sleeve friction and a pressure transducer. The kit also includes the data acquisition system with all the necessary functionality to perform cone penetration testing and the depth registration system that records the movement of the bridge whenever it is activated either manually (through a hand-operated switch) or automatically (through the use of a pressure switch).

This kit can be sold separately or with any of our CPT ready rigs, like the multi-purpose CSR-174, the versatile MC-23 or the compact CPT-223, our most popular CPT and DMT rig.

CONE SIZE OPTIONS

Choose between the 15 cm² or the 10cm² cone depending on your soil type and circumstances.

REAL-TIME TEST DATA

The data can be transferred to a Windows computer to be reviewed with the GeoExplorer data acquisition software.

CPT DATA REPORTING

The GeoExplorer Office software, interacts seamlessly with the GeoExplorer data acquisition software.

VARIOUS PUSHING EQUIPMENT

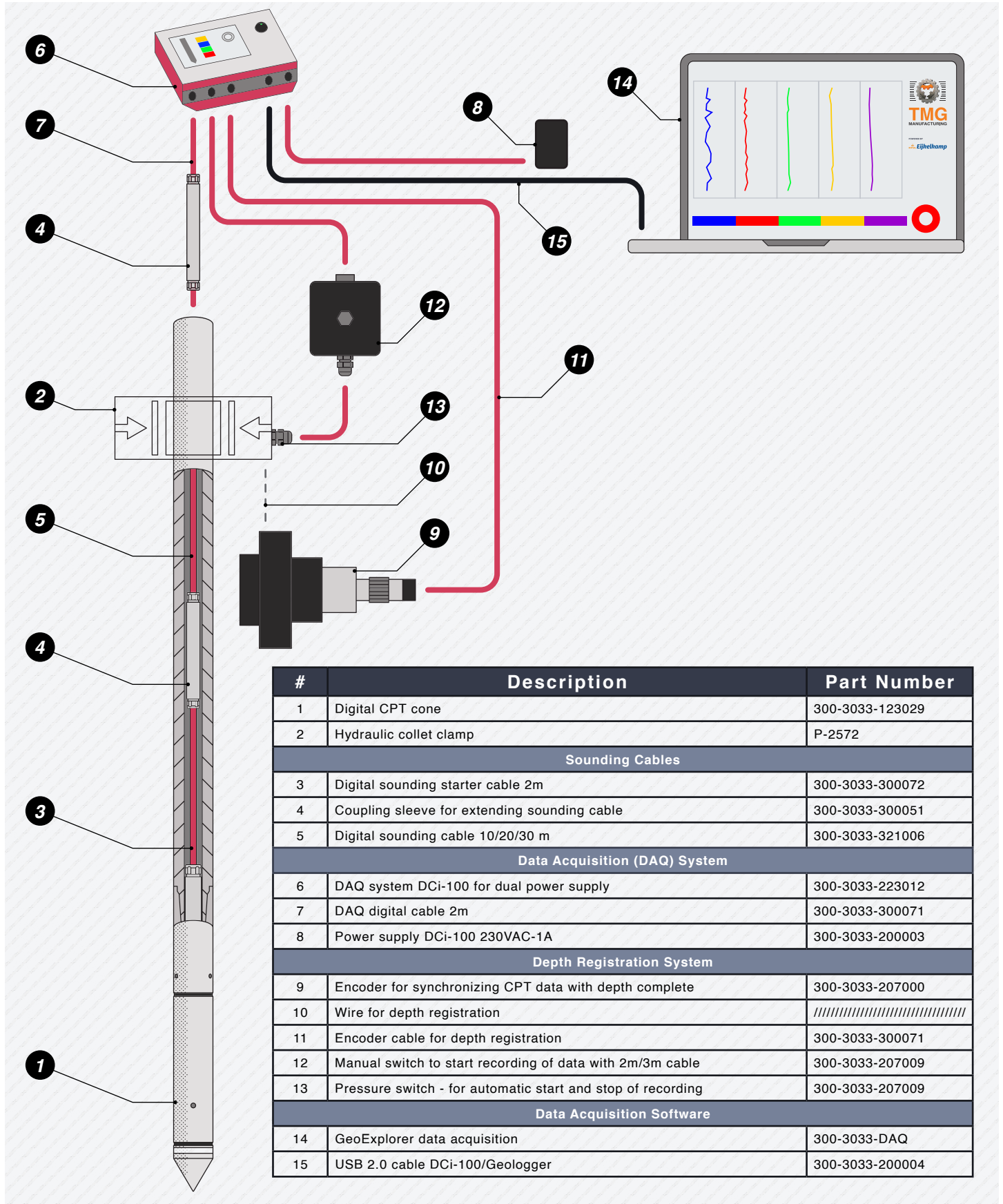
We provide a wide range of CPT tubes, casing and friction reducers (with cams or ring)

CPT RIGS

Our product range includes a variety of multi-purpose geotechnical rigs for CPTu and SCPTu compatible with our CPT Kit.

CPTu & SCPTu Equipment

CPTu - SCPTu Cones, Data Acquisition and Tooling



#	Description	Part Number
1	Digital CPT cone	300-3033-123029
2	Hydraulic collet clamp	P-2572
Sounding Cables		
3	Digital sounding starter cable 2m	300-3033-300072
4	Coupling sleeve for extending sounding cable	300-3033-300051
5	Digital sounding cable 10/20/30 m	300-3033-321006
Data Acquisition (DAQ) System		
6	DAQ system DCi-100 for dual power supply	300-3033-223012
7	DAQ digital cable 2m	300-3033-300071
8	Power supply DCi-100 230VAC-1A	300-3033-200003
Depth Registration System		
9	Encoder for synchronizing CPT data with depth complete	300-3033-207000
10	Wire for depth registration	////////////////////////////////////
11	Encoder cable for depth registration	300-3033-300071
12	Manual switch to start recording of data with 2m/3m cable	300-3033-207009
13	Pressure switch - for automatic start and stop of recording	300-3033-207009
Data Acquisition Software		
14	GeoExplorer data acquisition	300-3033-DAQ
15	USB 2.0 cable DCi-100/Geologger	300-3033-200004

CPTu & SCPTu Equipment

CPTu - SCPTu Cones, Data Acquisition and Tooling



CPT-223

20 tons CPTu & DMT Geotechnical Rig

- CPTu and DMT
- 23 hp (17.1 kW) gasoline engine
- Front and rear stabilizing outriggers
- 20 Ton hydraulically driven mast
- Wired remote control for driving operations
- Rubber tracks



CSR-174 / CSR-183

20 tons CPTu & DMT, Multi-Purpose Geotechnical Rig

- CPTu and DMT, SPT autohammer, 4-speed rotary drill for wireline core sampling and auger drilling
- 74 hp (53.6 kW) or 83 hp (61.8 kW)
- Front and rear stabilizing outriggers
- 20 Ton hydraulically driven mast
- Wired remote control for driving operations
- Rubber tracks



MC-23 / MC-37

20 tons CPTu & DMT, Mini Geotechnical Rig

- CPTu and DMT, SPT autohammer, rotary auger drilling, Shelby tube sampling and direct push
- 23 hp (17 kW) or 37 hp (27 kW)
- Front and rear stabilizing outriggers
- 20 Ton hydraulically driven mast
- Wired remote control for driving operations
- Rubber tracks

CPTu & SCPTu Equipment

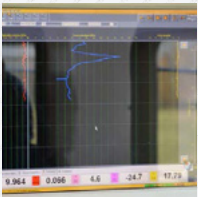
CPTu - SCPTu Cones, Data Acquisition and Tooling



CPT cone 10 cm² / 15 cm²
P.N. 300-3033-123029



Data acquisition system for dual power supply
P.N. 300-3033-223012



GeoExplorer data acquisition software
P.N. 300-3033-DAQ



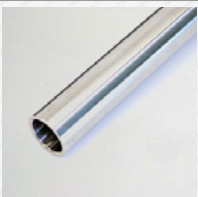
Encoder for synchronizing CPT data with depth complete
P.N. 300-3033-207000



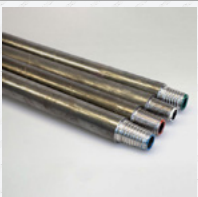
Complete set for de-airing filters including stainless-steel funnel 10cm
P.N. 300-3033-500201



Conical tip for CPTu cone
P.N. 300-3033-101104



Friction sleeve for cone stainless steel
P.N. 300-3033-101204



CPT sounding tube (CPT rods)
P.N. 300-3033-1613122

CPTu & SCPTu Equipment

CPTu - SCPTu Cones, Data Acquisition and Tooling



Friction reducer 4 cams

P.N. 300-3033-1633321



Friction reducer ring

P.N. 300-3033-1643321



Pore pressure filter for cone

P.N. 300-3033-102401



Silicone oil (per 1 liter)

P.N. 300-3033-500101



O-Rings for CPTu cone

P.N. 300-3033-600011



Quad-Ring for CPTu cone

P.N. 300-3033-600016



Hydraulic pressure switch with cable

P.N. 300-3033-800550

CPTu & SCPTu Equipment

CPTu - SCPTu Cones, Data Acquisition and Tooling



Manual switch to start recording of data with 2m cable
P.N. 300-3033-207009



USB 2.0 cable Geologger
P.N. 300-3033-200004



Power lead Geologger
P.N. 300-3033-200003



CPT sounding starter cable for digital cone 2m
P.N. 300-3033-300072



DAQ cable digital 2m
P.N. 300-3033-300071



CPT sounding cable for digital cone 30m
P.N. 300-3033-321006



Coupling sleeve for extending CPT sounding cable
P.N. 300-3033-300051

Our locations

Visit us, we will be happy to welcome you.

Corporate headquarters



Address: 5517 W. Sligh Ave, Suite 100. Tampa, FL 33634
Phone: (813) 464-2299
Toll-Free: 1-888-508-RIGS (7447)
Email: info@tmgmfg.com
Website: www.tmgmfg.com

Latin America Branch



Address: Ofibodegas Milano B16, Alajuela, Costa Rica
Phone: (506) 4001-5984
Email: info@tmgdrill.com
Website: www.tmgdrill.com

Join the conversation

We would be glad to see you online.



Professional
[TMG Manufacturing](#)



Videos
[TMG Manufacturing](#)



Social
[TMG Manufacturing](#)



Direct Message
(506) 7073-5061



Pictures Gallery
[TMG Manufacturing](#)